



EASE OF USE OF THE CONTROL HANDLE

UNIQUE BATTERY PROTECTION

4 POINTED TIPS FOR A STRONG SAFE GRIP

PROTECTION PADS

360° ROTATABLE HEAD

14,6 Kg

THE LIGHTEST ON THE MARKET: ONLY 14,6 Kg



The SR ram is used to create and stabilize openings after a car or truck accident to free victims.

It can also be used to maintain a structure after a collapsed building or a natural disaster.

It is **the lightest RAM on the market** and it has great features. Its special head design with 4 pointed tips will maintain a strong and safe grip on any structure and its 360° head rotation will enable to manoeuvre the ram easily in many angles.

ACCESSORIES

- ▶ RAM length extension 320 mm
- ▶ Cylinder support for safe use on B-pillar of the vehicle

Maximum load:	269,5 Kn
Resistance:	120 Kn
Dimensions:	L460 x H320 x D145 mm
Weight:	9.8 kg





AUTONOMY

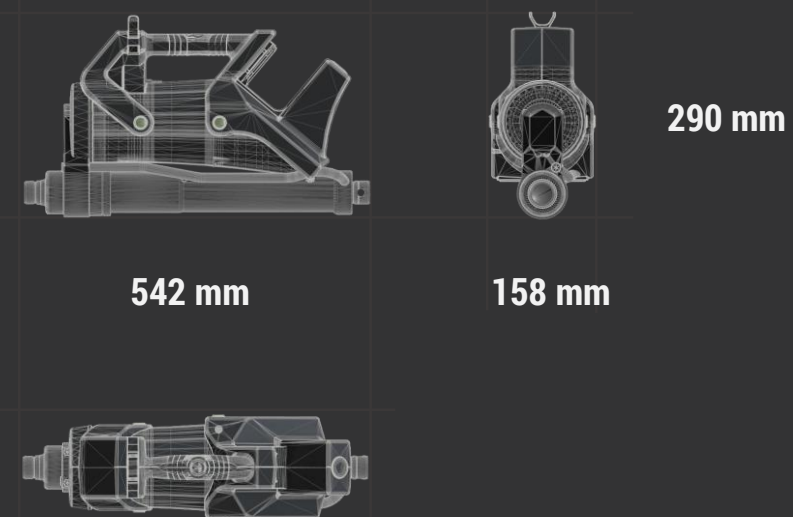
- ▶ Long operating time thanks to 5.0 Ah 28V capacity Li-ion battery
- ▶ Same battery fits all tools
- ▶ Batteries available at any Milwaukee dealer throughout the world

ROBUST

- ▶ Fiber reinforced housing fitted with pads for hardest use
- ▶ Special housing design for extra battery protection

ERGONOMY

- ▶ Lightweight and balanced tool
- ▶ Special control handle for fine tuning and ease of use
- ▶ Non slip handle grip for solid tool utilization
- ▶ Intuitive ON/OFF switch with incorporated light
- ▶ 32 cm extension and special support base for optimal deployment



TECHNICAL CHARACTERISTICS

Stroke	368 mm
Pushing force	111 Kn
Ful extension	910 mm
Weight without battery	14.6 kg
L x l x H	542 X 158 X 290 mm
Working pressure	700 bar
EN Class	R 111/368 - 15